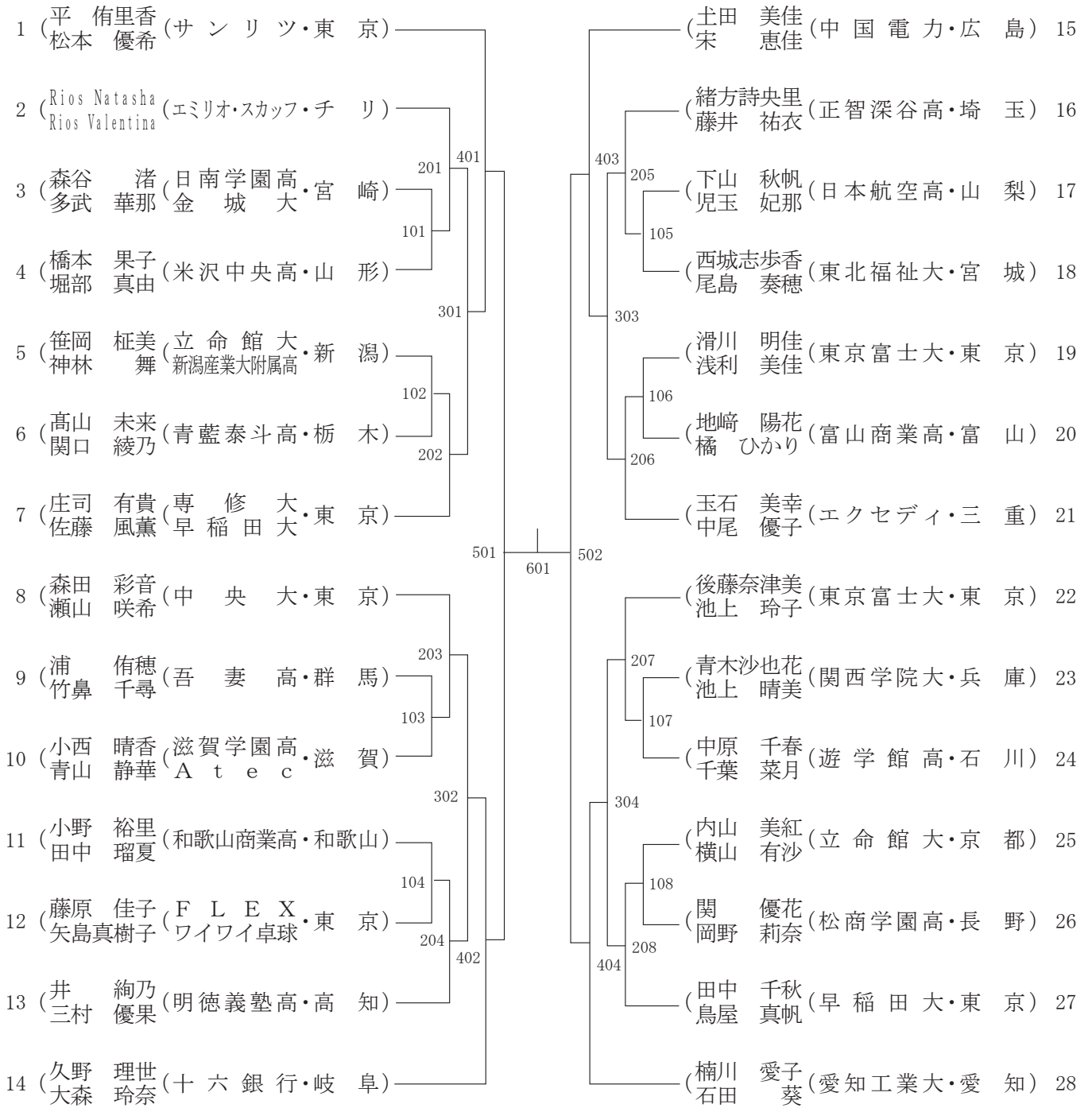
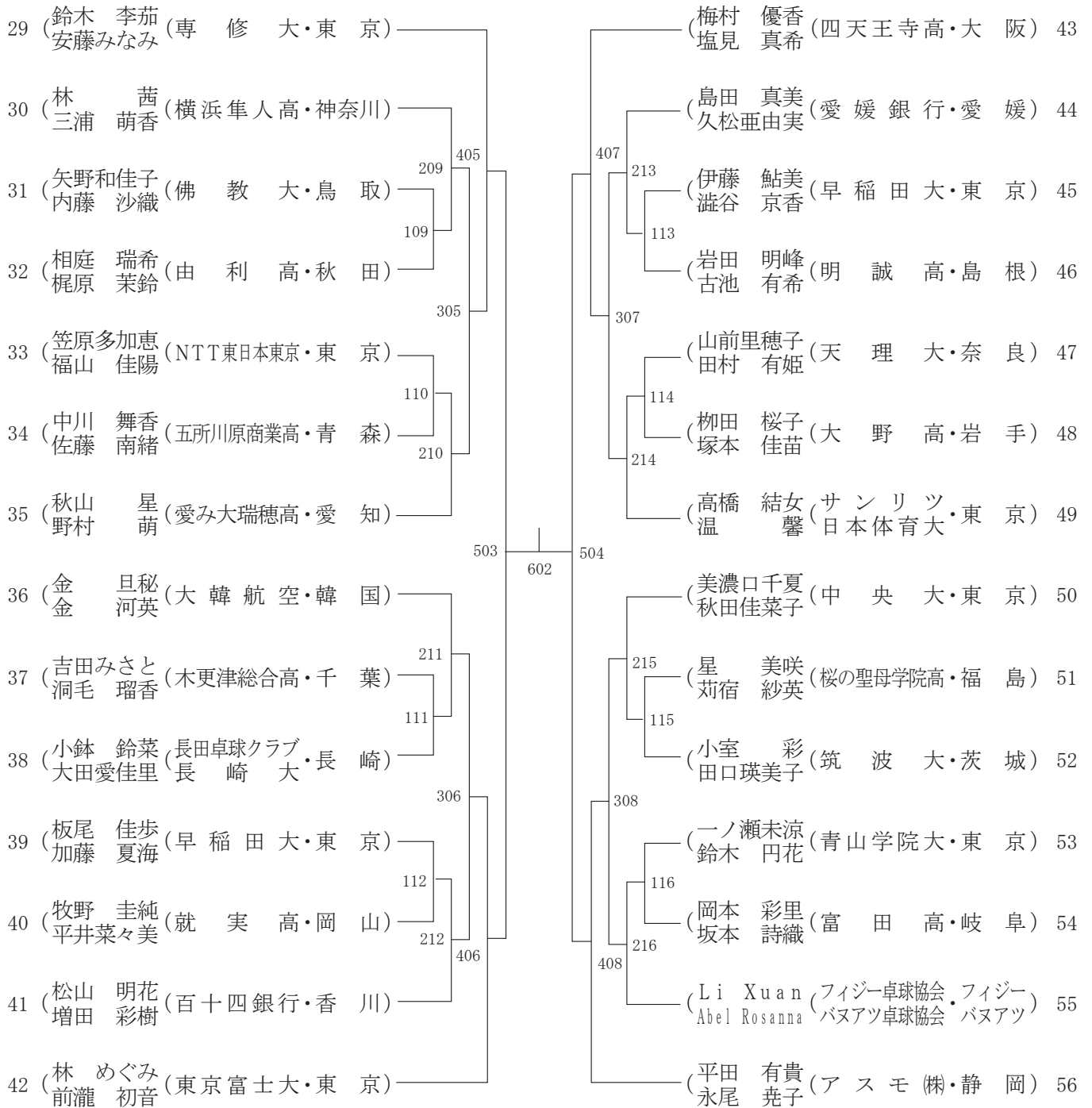


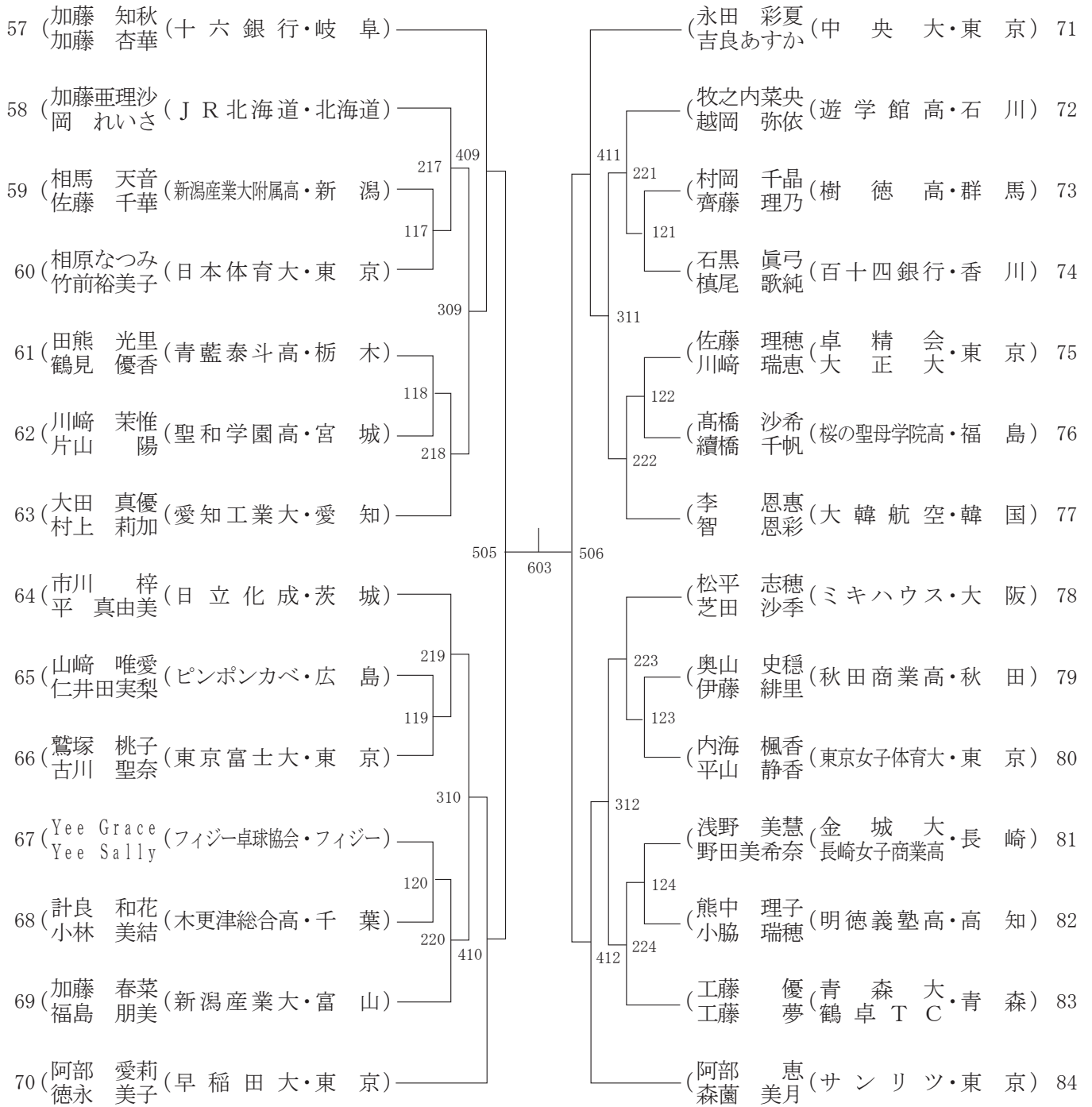
## ④ 女子ダブルス (その1)



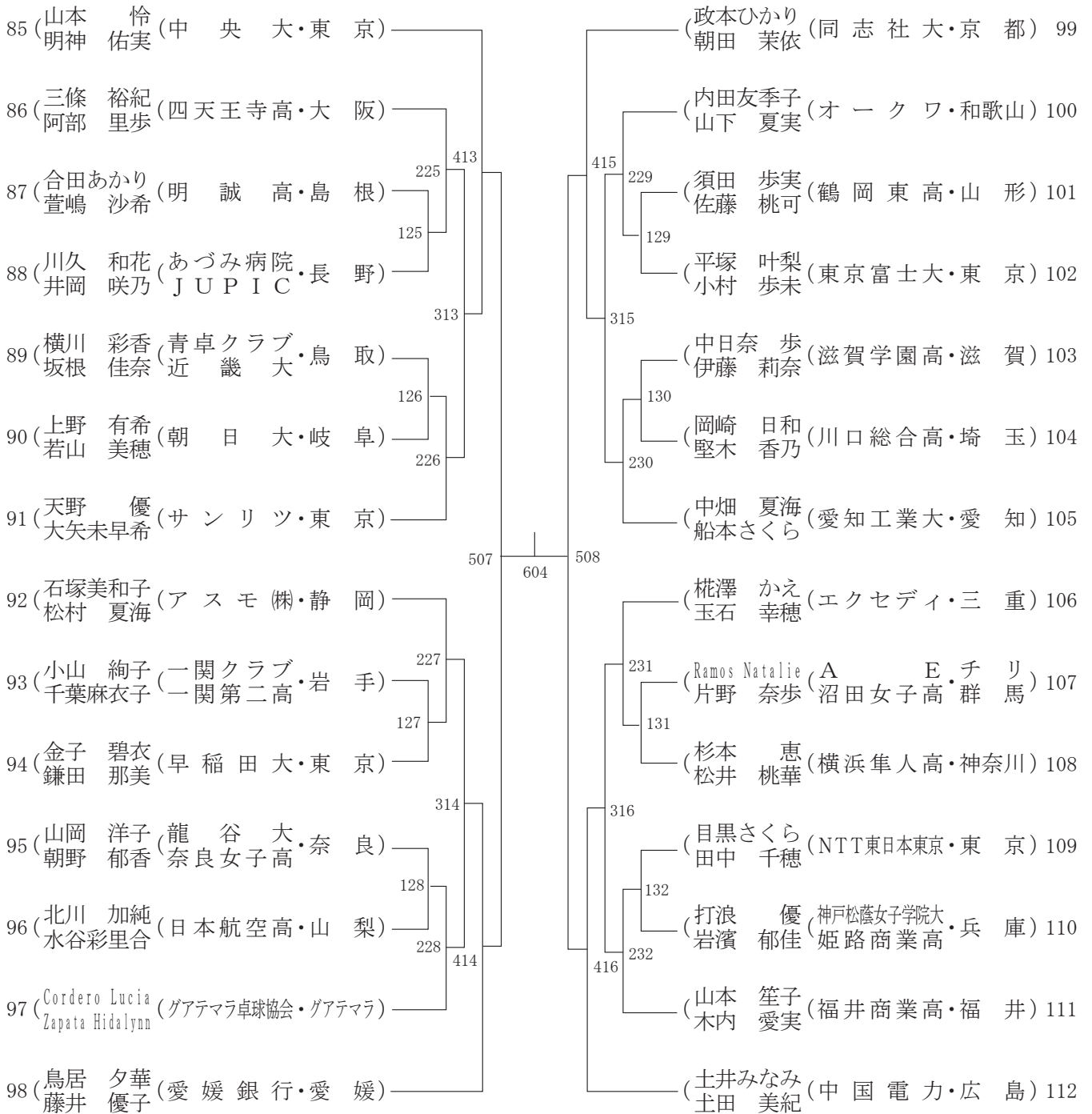
## ④ 女子ダブルス (その2)



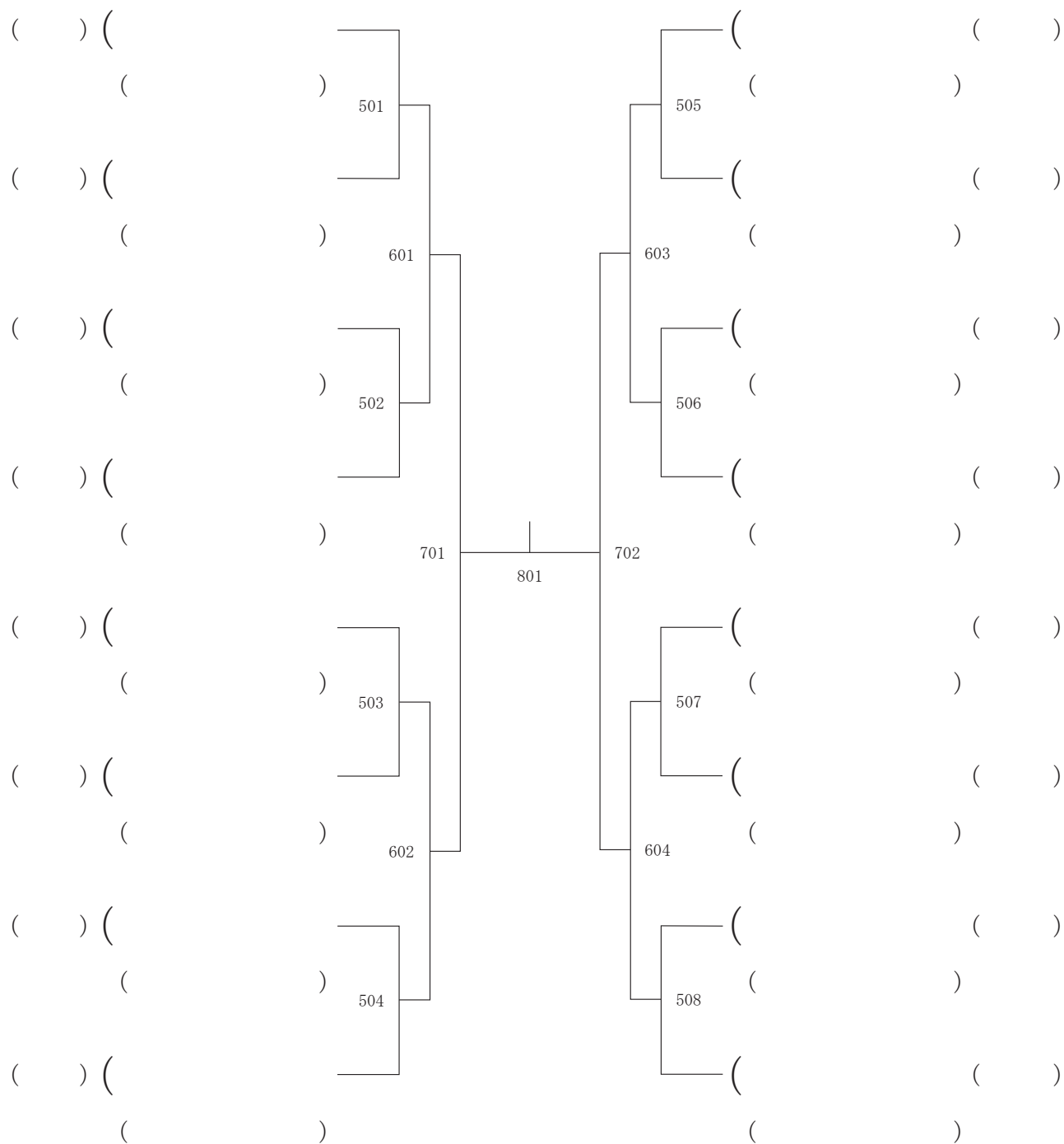
## ④ 女子ダブルス (その3)



## ④ 女子ダブルス (その4)



# 女子ダブルス ベスト 16



男子シングルス記録

準	決	勝	決	勝
( )	$\left\{ \begin{array}{c} \text{—} \\ \text{—} \\ \text{—} \\ \text{—} \end{array} \right\}$	( )	$\left\{ \begin{array}{c} \text{—} \\ \text{—} \\ \text{—} \\ \text{—} \\ \text{—} \end{array} \right\}$	( )
( )		( )		
( )	$\left\{ \begin{array}{c} \text{—} \\ \text{—} \\ \text{—} \\ \text{—} \end{array} \right\}$	( )		( )
( )		( )		

女子シングルス記録

準	決	勝	決	勝
( )	$\left\{ \begin{array}{c} \text{—} \\ \text{—} \\ \text{—} \\ \text{—} \end{array} \right\}$	( )	$\left\{ \begin{array}{c} \text{—} \\ \text{—} \\ \text{—} \\ \text{—} \\ \text{—} \end{array} \right\}$	( )
( )		( )		
( )	$\left\{ \begin{array}{c} \text{—} \\ \text{—} \\ \text{—} \\ \text{—} \end{array} \right\}$	( )		( )
( )		( )		

男子ダブルス記録

準	決	勝	決	勝
( )	$\left\{ \begin{array}{c} \text{—} \\ \text{—} \\ \text{—} \end{array} \right\}$	( )	$\left\{ \begin{array}{c} \text{—} \\ \text{—} \\ \text{—} \\ \text{—} \end{array} \right\}$	( )
( )		( )		
( )	$\left\{ \begin{array}{c} \text{—} \\ \text{—} \\ \text{—} \end{array} \right\}$	( )		( )
( )		( )		

女子ダブルス記録

準	決	勝	決	勝
( )	$\left\{ \begin{array}{c} \text{—} \\ \text{—} \\ \text{—} \end{array} \right\}$	( )	$\left\{ \begin{array}{c} \text{—} \\ \text{—} \\ \text{—} \\ \text{—} \end{array} \right\}$	( )
( )		( )		
( )	$\left\{ \begin{array}{c} \text{—} \\ \text{—} \\ \text{—} \end{array} \right\}$	( )		( )
( )		( )		